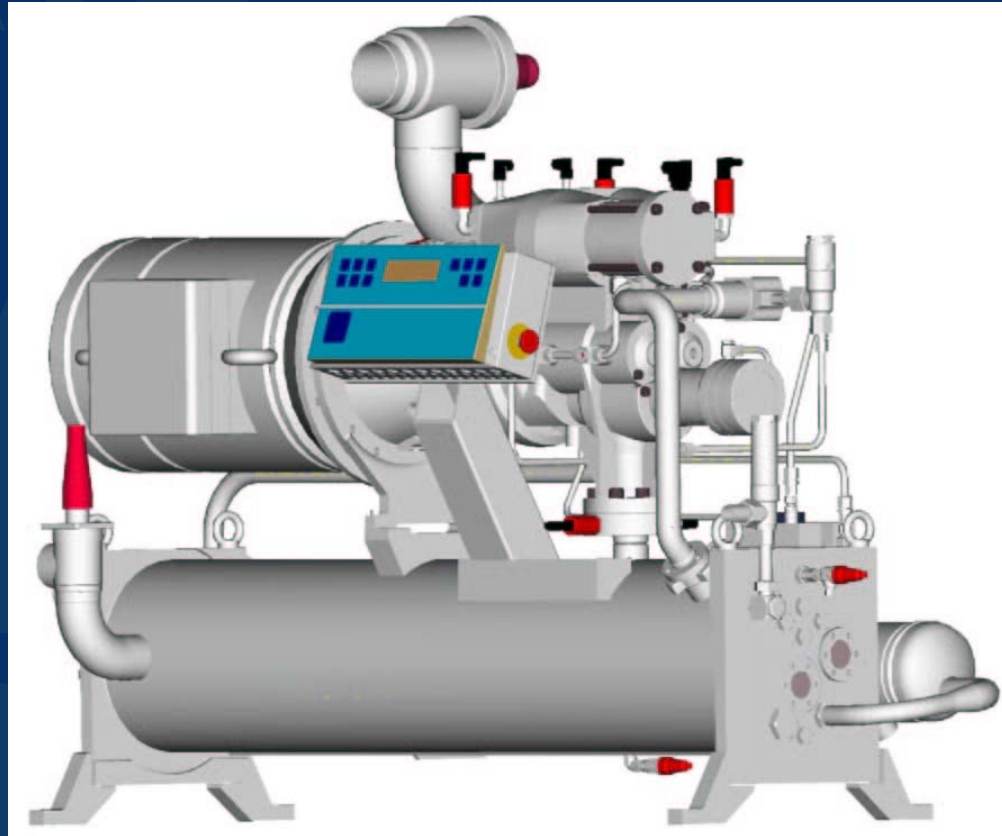


Spare parts manual SAB 110 Mk2

Screw compressor unit






Manual for SAB 110 Mk2

The screw compressor and the unit may be fitted with different equipment, depending on their functions and requirements.

In the table, the x mark indicates which equipment is fitted on your particular unit with the compressor number stated below.

Part of this equipment is described in this manual although it may not be fitted on your particular unit.

Compressor	SM <input type="checkbox"/>	SF <input type="checkbox"/>	LM <input type="checkbox"/>	LF <input type="checkbox"/>	
Compressor no.					
Refrigerant	<input type="checkbox"/> R717	<input type="checkbox"/> HFC/HCFC: _____	<input type="checkbox"/> Other: _____		
Control	UNISAB II and manual regulation of V _i slide				
Oil filter	Internal				
	External				
Oil cooling	Water cooled oil cooler				
	<input type="checkbox"/> OWRF	<input type="checkbox"/> OWTF	<input type="checkbox"/> Other: _____		
	Refrigerant cooled oil cooler			OOSI	
	Refrigerant injection in compressor		<input type="checkbox"/> HLI	<input type="checkbox"/> BLI	
Oil separator	With 1 discharge valve				
	With 2 discharge valves				
Oil temp.reg.	Thermostatic oil valve				
Economizer system (ECO-system)	With vessel type				HESS
	With closed system and vessel type				EOSE
	With open system and vessel type				SVER
Ex-execution	Compressor and unit are  safeguarded				

01 introduction.fm

1. Introduction

1. Introduction

The purpose of this manual is to provide the operating personnel with a thorough knowledge of the compressor as well as information about:

- The function and maintenance of each component.
- Service schedules.

This manual describes the compressor and its component parts as well as safety instructions/regulations. Moreover, the manual explains the different settings that can be of assistance to those who are responsible for the daily operation and maintenance of the equipment.

To prevent any accidents, assembly and disassembly of components should only be carried out by authorized personnel.

It is essential that the operating personnel familiarize themselves with the contents of this manual in order to ensure a proper and efficient operation. Sabroe Refrigeration (YORK Denmark ApS) - hereafter referred to as Sabroe Refrigeration - is not liable for damage occurring during the warran-

ty period where this is attributable to incorrect operation.

Sabroe Refrigeration's manual concept covers six standard manuals: Engineering, Operating, Service, Installation and Commissioning, Transport and Spare Parts. Therefore, references may be made to chapters which are not part of this manual.

This manual was produced by:

Sabroe Refrigeration (YORK Denmark ApS)
Chr. X's Vej 201, P.O. Box 1810
8270 Højbjerg, Denmark
Phone +45 87 36 70 00
Fax +45 87 36 70 05
www.sabroe.com
Reg. No 19 05 61 71

Copyright © 2005 Sabroe Refrigeration

This manual must not be copied without the written permission of Sabroe Refrigeration and the contents must not be imparted to a third party nor be used for any unauthorised purpose. Contravention will be prosecuted.

In the space below you may enter the name and address of your local Sabroe Representative



Contents

Manual for SAB 110 Mk2	1
Introduction	2
Contents	3
Spare Parts List and Tool List	5
List of Parts	5
Spare parts survey for SAB 110 Mk2 and SAB 110R Mk2 compressor units.	12
Tools for compressor SAB 110 Mk2	18
Spare Parts Drawings	23



18. Spare Parts List and Tool List

List of Parts

Relevant drawing 0661-960

Pos	Designation	No	Part no
	Compressor housing		
10-1	Compressor housing (S)	1	3011.063
10-2	Compressor housing (L)	1	3011.062
	Bearing cover at suction end		
20-1	Bearing cover, female drive	1	3013.457
20-2	Bearing cover, male drive	1	3013.441
21	O-ring dia. 254.00 x 3.53	1	1331.593
22	Cylindrical pin. dia. 12 x 40	2	1445.084
23	Socket cap screw M12 x 35	10	1413.387
24	Threaded plug with collar 1/2"	1	1343.027
25	Seal ring 29/22	1	1331.430
30	Suction port for male drive	1	3013.019
31	Suction port for female drive	1	3031.020
32	Cylinder screw M8 x 25	3	1413.357
33	Cylinder screw M8 x 35	1	1413.359
34	Set screw M12 x 16	1	1413.260
	Bearing cover at discharge end		
40	Cover	1	3013.075
43	Cylinder screw M10 x 30	4	1413.372
44	Adjusting screw M20	2	2111.122
45	Locking screw M6 x 10	4	1413.231
	Capacity regulating cylinder		
50	Cylinder	1	3043.098
51	O-ring dia. 66,27 x 3,53	1	1331.566
52	Cylinder screw M10 x 30	3	1413.372

18 spare parts list _ tool list.fm

18. Spare Parts List and Tool List

Pos	Designation	No	Part no
	Cover for capacity regulating cylinder		
60	Cover	1	3013.203
61	O-ring dia. 88,49 x 3,53	1	1331.572
62	Cylinder screw M8 x 35	4	1413.359
83	Driving pin dia. 4 x 6 for shaft seal cover	1	1446.011
	Slide stop		
101	Sealing ring	1	1332.121
103	Piston	1	3043.101
105	Retainer	1	3043.102
106	Cylinder screw M6 x 25	2	1413.342
107	Threaded plug G 1/8"	1	1343.024
108	Gasket dia. 16/10	1	2356.216
	Rotors and bearings		
110-1	Set of rotors for SM	1	3024.413
110-2	Set of rotors for SF	1	3024.422
110-3	Set of rotors for LM	1	3024.424
110-4	Set of rotors for LF	1	3024.421
111	Roller bearing	4	1512.001
114	Thrust washer	2	3021.019
115	Cylinder screw M10 x 35	2	1413.373
119	Retainer pin for male and female rotor bearing	2	1514.029
130	Balance piston	2	3025.014
132	Four point bearing	2	1513.039
133	Set of shims dia. 63/80 for adjusting the clearance between the rotor and outlet ports comprising: 1 off 0,82 mm 1 off 0,85 mm 1 off 0,88 mm 1 off 0,91 mm 1 off 0,94 mm 1 off 0,97 mm 1 off 1,00 mm	2	2124.079

18. Spare Parts List and Tool List



Pos	Designation	No	Part no
139	Ring for balance piston	2	3025.030
	Discharge ports		
140	Discharge port for male rotor	1	3031.029
141	Discharge port for female rotor	1	3031.030
141-1	Discharge port for female rotor, HLI	1	3031.065
142	Socket cap screw M8 x 110	6	1413.311
143	Sealing ring dia. 13/8	6	3049.006
144	Sealing, HLI port	2	2353.224
	Parts for adjusting rotors		
153	Thrust cover	2	3013.080
154	O-ring dia. 72,62 x 3,53	2	1331.567
	Shaft seal		
160	Shaft seal, complete	1	1332.178
162	O-ring dia. 50,39 x 3,53 (included in pos. 160)		1331.561
163	O-ring dia. 34,52 x 3,53	1	1331.556
164	Driving pin $\varnothing 3 \times 5$	1	1446.005
165	Cover for shaft seal	1	3013.395
166	O-ring dia. 72,62 x 3,53	2	1331.567
167	Cylinder screw M8 x 25	4	1413.357
168	Balancing piston	1	3025.069
169	Radial Shaft Seal	1	1332.138
264	Locking ring	1	1437.300
	Suction filter		
170	Suction filter	1	3042.082
	Adjusting system for V_i-slide		
180	Adjusting screw M8 x 90	1	1424.180
181	Nut	2	1432.063
	V_i-slide		
190	Slide	1	3044.026
191-1	Spring for SAB 110L	1	2144.046

18 spare parts list _ tool list.fm

18. Spare Parts List and Tool List

Pos	Designation	No	Part no
191-2	Spring for SAB 110S	1	2144.045
	Capacity regulating slide		
200-1	Slide for L	1	3043.097
200-2	Slide for S	1	3043.104
201	Piston Parts	2	3043.100
203	O-ring dia. 23,39 x 3,53	1	1331.550
204	Sealing ring	1	1332.120
205	Locking screw	2	1413.231
206	Slotted nut	1	1514.198
207-1	Piston rod for L	1	3043.263
207-2	Piston rod for S	1	3043.262
208	Locking plate	1	1514.068
	Economizer HLI inlet		
235	Threaded plug with collar 1/2"	2	1343.027
236	Gasket dia. 27/21 x 1,5	2	2356.133
	To connect the economizer line to the compressor use: Connection for pipe dia. 18/15	1	1349.130
	Suction gas inlet		
252	O-ring dia. 107,54 x 3,53	1	1331.577
253	Seat for suction valve	4	3013.120
254	Cylinder screw M12 x 35	4	1413.387
255-1	Welding flange DN 50	1	2342.172
255-2	Welding flange DN 65	1	2342.173
255-3	Welding flange DN 80	1	2342.174
256	O-ring dia. 91,67 x 3,53	1	1331.573
257	Seal ring 21/14	1	1331.428
258	Threaded plug with collar 1/4"	1	1343.025
	Non-return valve		
260	Piston for non-return valve	1	3042.039
261	Spring	1	2144.038
262	Locking ring	2	1437.291

18. Spare Parts List and Tool List

Pos	Designation	No	Part no
263	Guide for piston	1	3042.040
	Valve cone (optional for twin/triple units only)		
265	Spindle	1	3042.050
266	Gasket ring dia. 66/56 x 2	1	2354.174
267	Cone ring	1	3042.051
268	Nut M16	1	1432.307
	Suction side throttling system		
270	Cylinder	1	3042.162
271	Piston	1	3042.042
272	Spring	1	2144.037
273	O-ring dia. 107,54 x 3,53	1	1331.577
275	Plug	1	1343.026
	Connecting parts for slide rod		
311-1	Cylinder screw M8 x 50 (type L)	1	1413.368
311-2	Cylinder screw M8 x 40 (type S)	1	1413.360
	External oil piping		
320-1	Connecting pipe set, SAB 110 SM	1	3014.038
320-2	Connecting pipe set, SAB 110 SF	1	3014.032
320-3	Connecting pipe set, SAB 110 LM	1	3014.039
320-4	Connecting pipe set, SAB 110 LF	1	3014.033
321	Check valve	1	1364.282
325-1	Orifice for oil injection - dia. 6 (R717)	1	3043.107
325-2	Orifice for oil injection - dia. 4 (R22)	1	3043.106
325-3	Orifice for oil injection - dia. 2 (HFC)	1	3043.142
	Transmitter for capacity slide position (optional)		
350-1	Capacity transmitter (L)	1	1553.299
350-2	Capacity transmitter (S)	1	1553.298
351	Cylinder screw M6 x 35	2	1413.052
352	Alu-pipe, L = 160	1	1116.042
353	Seal ring 24/17	1	1331.427

18 spare parts list _ tool list.fm

18. Spare Parts List and Tool List

Pos	Designation	No	Part no
354	Sensor pocket L = 171 (Is included in pos. 350)	1	
	Oil filter		
450	Flange	1	3013.176
451	O-ring dia. 66,27 x 3,53	1	1331.566
452	O-ring dia. 107,54 x 3,53	1	1331.577
455	Cylinder screw M5 x 16	2	1413.331
456	Guide ring dia. 14,5/6	3	2356.120
457	Washers dia. 18/6	3	2356.122
458	Rod for magnets	1	3042.043
459	Magnet	4	1517.022
460	Spacer for magnet	3	3424.039
461	Spring	1	2143.026
462	Spring	1	2143.063
470	Oil filter cartridge	1	1517.040
480	Welding flange	1	3013.175
481	O-ring dia. 91,67 x 3,53	1	1331.573
	Oil flow switch		
501	Housing	1	3013.076
502	O-ring dia. 107,54 x 3,53	1	1331.577
503	Spring guide	1	3042.047
504	Circlip	1	1437.168
505	Nippel for flow switch	1	2314.106
506	Seal ring 35/27	1	1331.433
507	Flow switch	1	1553.262
	Throttling system		
550	Spring catch	1	3042.159
551	Cover	1	3013.440
552	O-ring dia. 91,67 x 3,53	1	1331.573
554	Cylinder screw M6 x 25	4	1413.342
555	O-ring dia. 56,74 x 3,53	1	1331.563

18. Spare Parts List and Tool List

Pos	Designation	No	Part no
557	Cylinder screw M12 x 180	4	1413.403
	Limitation of minimum capacity (optional) Please refer to the service manual, section 13		
228	Spacer ring for SAB 110 S and L	1	3045.041
229	O-ring dia. 69,52 x 2,62	1	1331.545
	Temperature/pressure transducers		
751	Pressure transducer, suction gas (PT1)	1	1373.249
752	Pressure transducer, oil after filter (PT3)	1	1373.271
753	Pressure transducer, oil before filter (PT4)	1	1373.271
756	Elbow coupling 10-RL	3	1349.154
761	Temperature transmitter, compressor oil (TT6)	1	1373.319
762	Temperature transmitter, suction gas (TT7)	1	1373.319
765	Gasket ring DKA R 1/4"	2	1349.135

S = L/D 1.7	M = Male drive
L = L/D 2.2	F = Female drive

18 spare parts list _ tool list.fm

18. Spare Parts List and Tool List

Spare parts survey for SAB 110 Mk2 and SAB 110R Mk2 compressor units.

The following list comprises all components that can be fitted on a compressor unit.

From this list we have selected the components that are used on a particular unit and which are indicated on the piping diagram of this instruction manual. The position numbers on the **piping diagram** (see also key to piping diagram) are a reference to the "Pos." columns of this list.

The piping diagram is dedicated to the compressor number stated on page 1 of this instruction manual.

The components in the shaded areas are variable. This may be due to voltage, refrigerant, approved pressure etc.

On ordering spare parts it may be an advantage to receive them in sets selected for your specific compressor unit.

A list of sets can had on request from Sabroe Refrigerations **local representative.sM**

	Pos.	Designation	Part no.	
Regulating and control devices - UNISAB II	UNISAB II			
	PT 1	Pressure transducer - 1 - 9 bar	1373.249	
	PT 2	Pressure transducer - 1 - 25 bar	1373.271	
	PT 3	See PT 2		
	PT 4	See PT 2		
	TT 5 / 6 / 7	Temperature transducer PT 100	1373.281	
	FT 18	Incorporated in the compressor		
	UNISAB II Frontpanel			1573.007
		1 CPU-module	1572.017	
		1 Relay print	1574.014	
		1 EPROM extractor	1613.002	
		1 EPROM extractor	1613.003	
	1 EPROM	1571.015		
	3 Jumpers			
	2 Fuses			
	1 Screw driver	1572.018		

18. Spare Parts List and Tool List



18 spare parts list _ tool list.fm

	Pos.	Designation	Part no.
Refrigerant system	20	Set of gaskets for SVA - ST 50	1377.419
		Set of gaskets for SVA - ST 65	1377.420
		Set of gaskets for SVA - ST 80	1377.421
	21	Incorporated in the compressor	
	22	O - ring dia. 82.14 x 3.53	1331.077
	23	Incorporated in the compressor	
	24	Set of gaskets for SNV 8	2453.053
	25	Oil separator, general:	
	31	O - ring dia. 52.07 x 2.62 (for sight glass)	1331.140
	31	Sight glass	1226.017
	30	Heating rod 230 V 460 W	3181.040
		Heating rod 250 V	3181.038
		Heating rod 400 V	3181.044
		Heating rod 115 V	3181.039
	30	Sealing ring dia. 42/49 x 6,5	1349.213
	25	Oil separator OHU 3015DS/D (with oil return)	
		O - ring dia. 253.37 x 5.33 (cover for OHU 3015DS)	1331.181
	52	Oil return valve (complete)	3447.526
	53	Sight glass included in pos. 52	
	55	Fine separator RSO 267-P (for OHU3015DS)	1517.018
	19 - 25	O - ring dia. 44.17 X 1.78 (Connection on oil separator for safety valve)	1331.012
		Pressure outlet for unit with stop valve fitted by SABROE	
	204	Gasket set for SVA - ST 50	1377.419
28	Safety valve SFV15:		
	O-ring dia. 15.54 x 2.62	1331.015	
	Spring (for 20 Bar opening pressure)	2461.004	
	Spring (for 25 Bar opening pressure)	2461.005	

18. Spare Parts List and Tool List

	Pos.	Designation	Part no.
Oil system	30	Heating rod. See pos. 25	
	31	Sight glass. See pos. 25	
	33	Water-cooled oil cooler OWSG 1615	
		Gasket dia.. 270/150	2355.171
		Gasket dia. 107/61	2356.267
	33	Water.cooled oil cooler OWSG 2115	
		Gasket dia. 310/205	2355.172
		Gasket dia. 142/90	2356.269
		PVC plug	2314.089
		O - ring	1331.028
	39	Oil filter (Incorporated in the compressor)	
		Filter element	1517.040
	43	Flow control (Incorporated in the compressor)	
	45	Nozzle dia. 6 (for R717)	3043.107
		Nozzle dia. 4 (for R22)	3043.106
46	Thermostatic three-way valve, type RT3		
	O - ring, Neoprene	1331.383	
	Thermo element, 48 °C	1365.005	
47	See pos. 24		
50 - 55	Oil return from oil separator:		
	See pos. 25		
Oil charging			
	62	Set of gaskets for SNV8	2453.053

18. Spare Parts List and Tool List



	Pos.	Designation	Part no.
Capacity regulation		Applies only to SAB 110 Mk2	
	70	Solenoid valve:	
		Valve housing EVM (normally closed) Gasket set for EVM Coil 10 W 220/230 V 550/60 Hz 110 V 50/60 Hz 240 V 50 Hz	1372.335 1336.024 1372.537 1372.538 1372.539
	71	Solenoid valve:	
		Valve housing EVM (normally open) Coil 10 W 220/230 V 50/60 Hz 110 V 50/60 Hz 240 V 50 Hz	1372.337 1372.537 1372.538 1372.539
	72	Throttle valve:	
	O - ring dia. 10.82 x 1.78 O - ring dia. 4.47 x 1.78 Gasket dia. 19/14	1331.008 1331.005 2356.283	
Throttling system		Applies only to SAB 110R Mk2	
	77	Solenoid valve for throttling system	
		Incorporated in the compressor	
	78	Regulating valve for throttling system	
	Incorporated in the compressor		
HLI oil cooling		Applies only to SAB 110R Mk2	
	80	Gasket set for SVA - ST 15 - 20	1377.417
	81	Filter FA 15: (When TEAT 20 is selected)	
		Gasket set for FA 15 Repair kit for FA 15	1377.078 1377.250
	81	Filter FA 20: (When TEAT 85 is selected)	
		Gasket set for FA 20 Repair kit for FA 20	1377.079 1377.251
	82	Solenoid valve EVRA 15: (When TEAT 20 is selected)	
	Gasket set for EVRA 15 Repair set for EVRA 15	1377.093 1377.099	

18 spare parts list _ tool list.fm

18. Spare Parts List and Tool List

	Pos.	Designation	Part no.	
HLI oil cooling		Applies only to SAB 110 Mk2		
	82	Solenoid valve EVRA20: (When TEAT 85 is selected)		
		Gasket set for Repair kit Coil 10 W 220/230 V 50/60 Hz 110 V 50/60 Hz 240 V 50 Hz (When TEAT 85 is selected)	1377.094 1377.069 1372.537 1372.538 1372.539	
	83	For TEAT 20:		
		Nozzle insert 20-8 Nozzle insert 20-12 Nozzle part 20-20 Thermal part 35-65 deg. C Thermal part 55-95 deg. C	1371.203 1371.204 1371.206 1371.255 1371.253	
	83	For TEAT 85:		
		Nozzle insert 85-33 Nozzle insert 85-55 Nozzle part 85-85 Thermal part 35-65 deg. C Thermal part 55-95 deg. C	1371.207 1371.208 1371.209 1371.257 1371.256	
	84	See pos. 80		
	Compr. relief valve system	220	Applies only to SAB 110R Mk2	
			Main valve POV 40	2417.232
221		Applies only to SAB 110R Mk2		
	Back pressure independent safety valve BSV 8, 18 bar	2416.202		

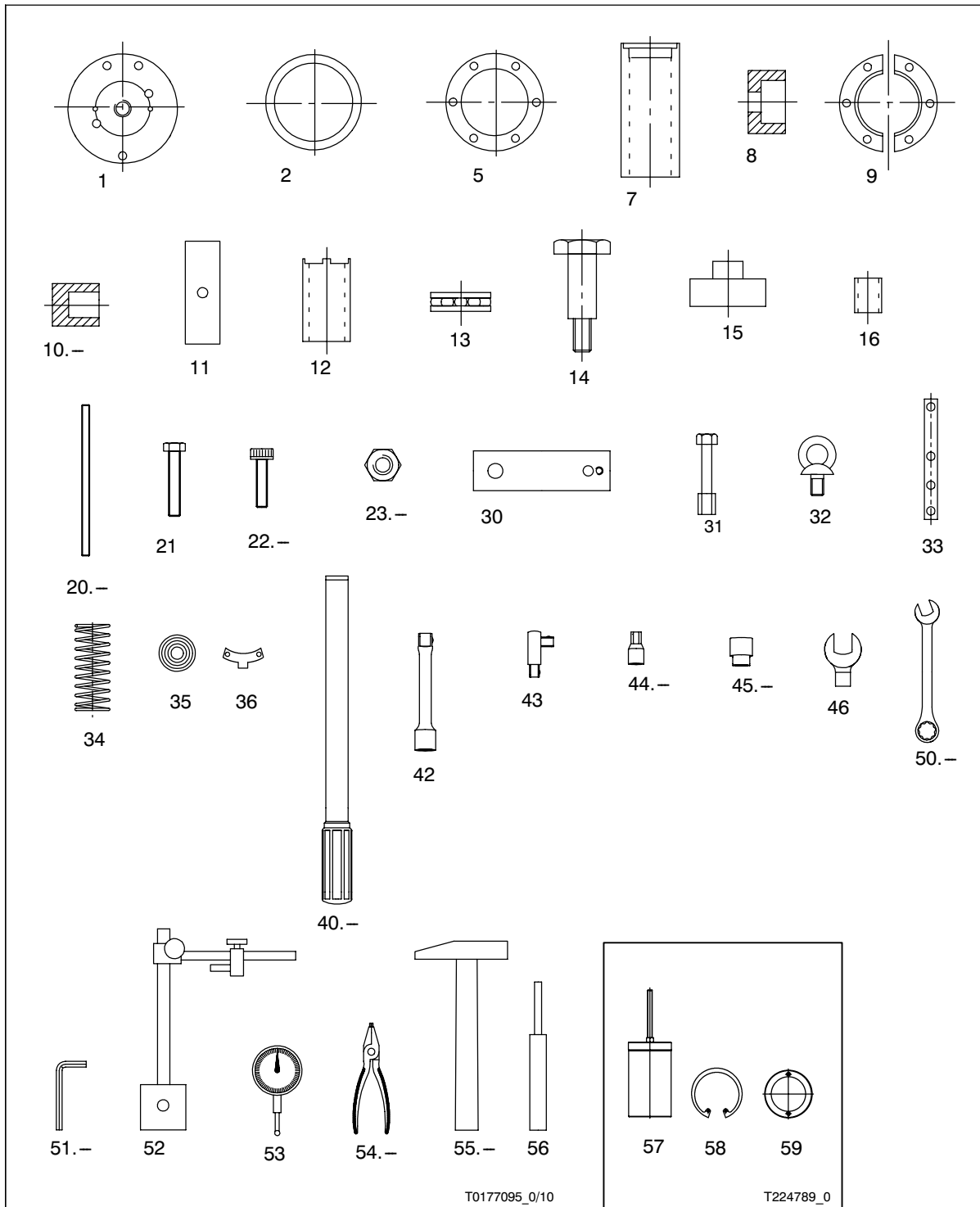
18. Spare Parts List and Tool List

	Pos.	Disignation	Part no.
Coupling	240	Applies only to SAB 110R Mk2	
		Spare parts set for coupling BoWex 65 HEW	
		Elastic element (50 sh (a))	1524.067
		Screw M8 x 20	1413.356
		Pointed screw UNB M10 x 10 (motor)	
	240	Applies only to SAB 110R Mk2	
		Spare parts set for coupling GS 42/55	
		Elastic element (98 sh (a))	1524.246

18. Spare Parts List and Tool List

Tools for compressor SAB 110 Mk2

Fig. 18.1



18. Spare Parts List and Tool List

Line no. A401 = Normal set (part no. 3083.154)

Line no. A402 = Extended set (part no. 3083.155)

Tools no.	Designation	Part no.	A401	A402	
1	Puller for bearings	3083.138	1	1	
2	Thrust ring for the puller	3083.139	1	1	
5	Ring for the puller	3083.140	1	1	
7	Tools for fitting the bearings	3083.141	1	1	
8	Retaining cup for male and female rotor	3083.142	2	2	
9	Tools for dismounting the bearings	3083.143	1	1	
10.1	Thrust washer, short	3083.002	1	1	
10.2	Trust washer, long	3083.144	1	1	
11	Locking tool for rotor	3083.145	1	1	
12	Spanner	3083.146	1	1	
13	Trust bearing	1512.015	1	1	
14	Extension for rotor adjustment	3083.147	1	1	
15	Guide bush	3083.149	1	1	
16	Distance bush	3083.150	2	2	
20.1	Screw	M6 x 140	3083.124	2	2
20.2	Screw	M10 x 247.5	3083.106	2	2
20.3	Threaded pins	M10/M12 x 300	3083.151	1	1
21	Hexagon head screw	M16 x130	3083.152	1	1
22.1	Socket cap screw	M8 x120	1413.314	1	1
22.2	Socket cap screw	M10 x 35	1413.373	2	2
22.3	Socket cap screw	M10 x 25	1413.371	4	4
22.4	Socket cap screw	M10 x 60	1413.382	2	2
22.5	Socket cap screw	M10 x 80	1413.378	1	1
23.1	Nuts	M10	1432.064	2	2
23.2	Nuts	M12	1432.065	1	1
23.3	Nuts	M6	1432.061	2	2
23.4	Nuts	M8	1432.063	1	1
25	Guide pin	M16 x 300	2212.147	2	2

18 spare parts list _ tool list.fm

18. Spare Parts List and Tool List

Tools no.	Designation	Part no.	A401	A402
30	Tools for adjusting the bearings	3083.107	1	1
31	Special screw for adjusting the bearings	3083.148	1	1
32	Eye bolt M 12	1427.150	1	1
33	Counterbracing for adjusting the bearings	3083.161	1	1
34	Spring	2144.044	2	2
35	Supporting washer	3083.162	1	1
36	Supporting plate	3083.135	2	1
40.1	Torque wrench (Ratchert) 5-50 Nm			1
40.2	Torque wrench 40-200 Nm			1
42	Extension			1
43	Converter for torque wrench			1
44.1	Hexagon bit adaptor			1
44.2	Hexagon bit adaptor			
44.3	Hexagon bit adaptor			
44.4	Hexagon bit adaptor			
44.5	Hexagon bit adaptor			
44.6	Hexagon bit adaptor			
45.1	Box spanner insert			1
45.2	Box spanner insert			
45.3	Box spanner insert			
46	Open end spanner			1
50.1	Combination spanner	9 mm	1612.270	1
50.2	Combination spanner	13 mm	1612.268	1
50.3	Combination spanner	19 mm	1612.277	1
50.4	Combination spanner	22 mm	1612.278	1
51.1	Allen key for socket cap screw	3 mm	1612.395	1
51.2	Allen key for socket cap screw	4 mm	1612.396	1
51.3	Allen key for socket cap screw	5 mm	1612.397	1
51.4	Allen key for socket cap screw	6 mm	1612.398	1
51.5	Allen key for socket cap screw	8 mm	1612.399	1
51.6	Allen key for socket cap screw	10 mm	1612.401	1

18. Spare Parts List and Tool List

Tools no.	Disignation	Part no.	A401	A402
52	Magnetic Fixture for dial indicator			1
53	Dial indicator			1
54.1	Retaining ring plier			1
54.2	Retaining ring plier			1
55.1	Hammer	1612.012		1
55.2	Plastic hammer	1612.042		1
56	Steel punch 8 mm			1
57	Mounting tool	3083.366	1	1
58	Locking ring	1437.162	1	1
59	Puller for balancing piston	3083.369	1	1

18 spare parts list _ tool list.fm

18. Spare Parts List and Tool List

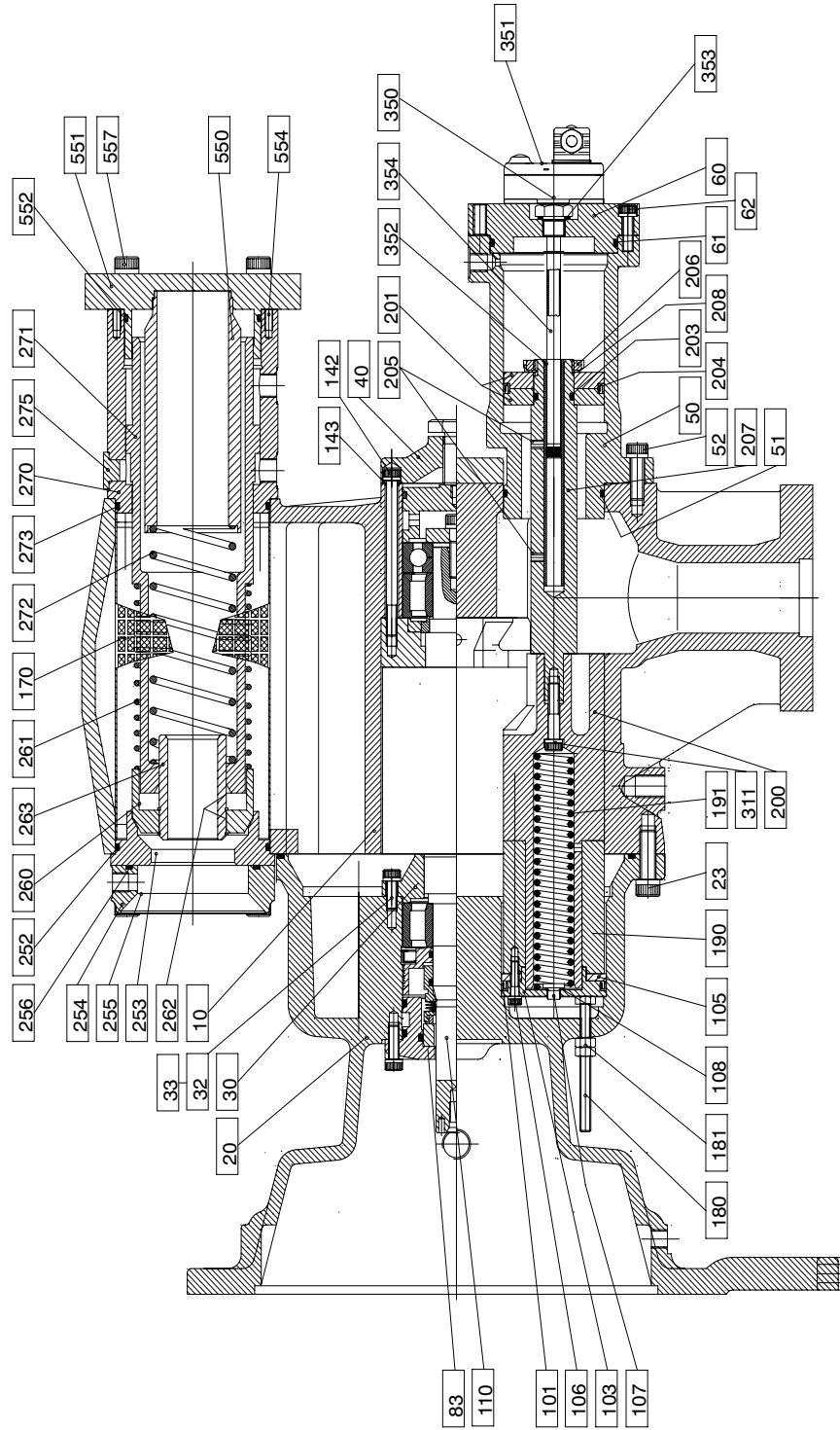


19. Spare Parts Drawings

19 spare parts drawings.fm

2002.11

1/4
0661-960

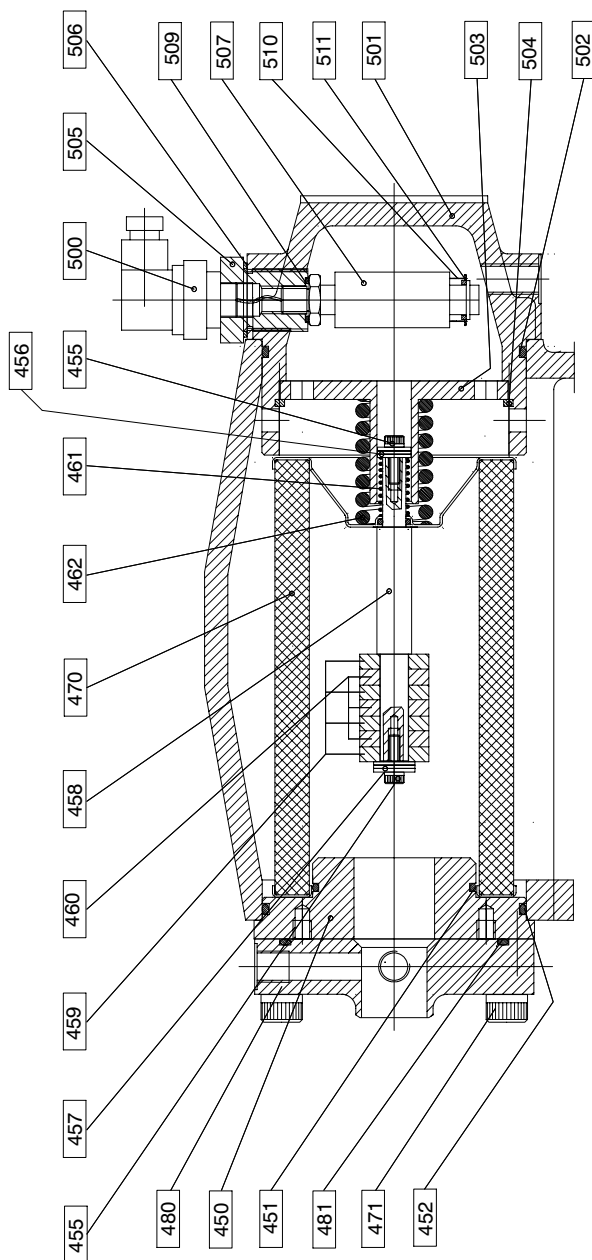


SAB 110 MK2
List of parts 0661-961

318300_1

19. Spare Parts Drawings

2/4
0661-960

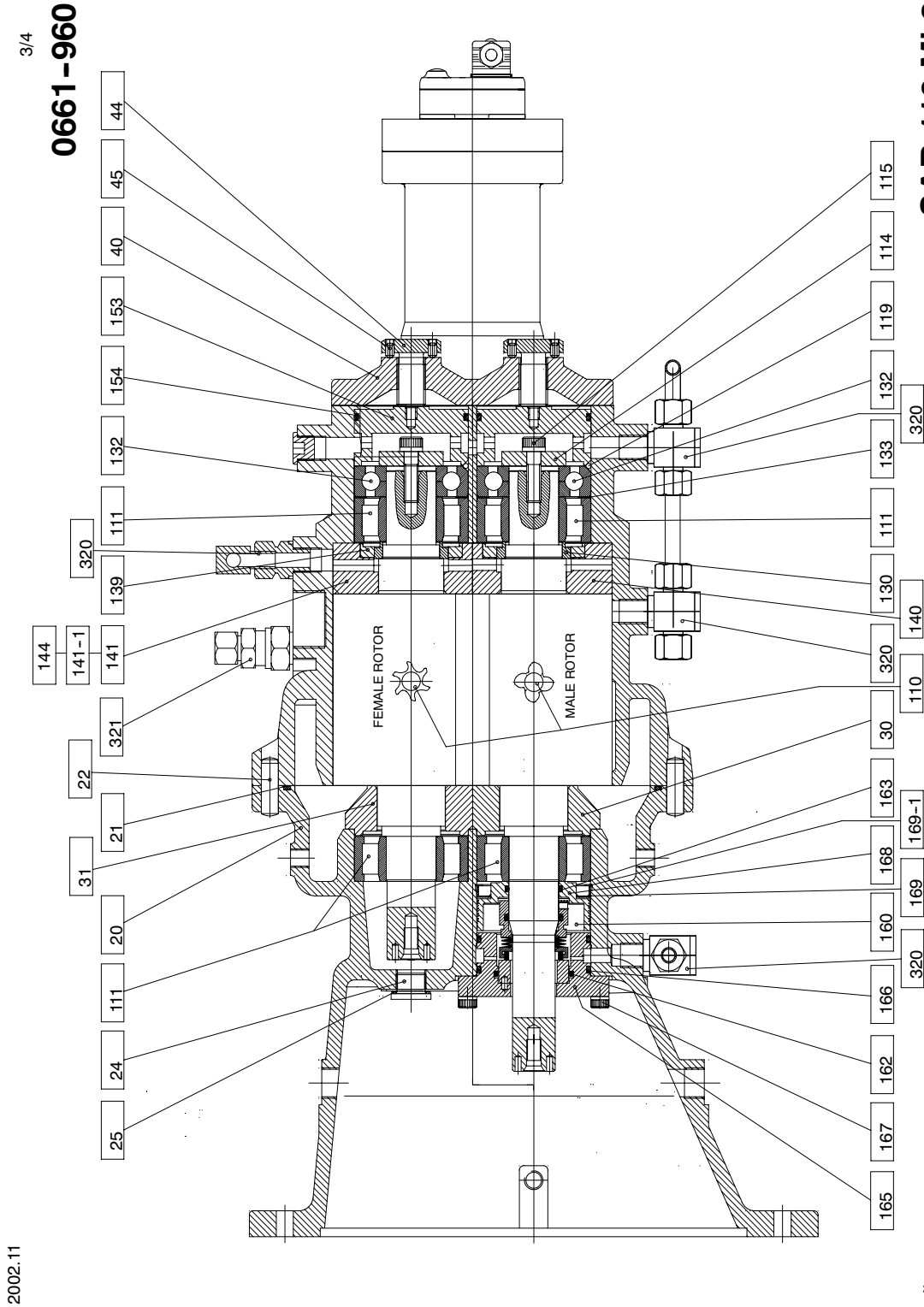


SAB 110 Mk2
List of parts 0661-961

19. Spare Parts Drawings

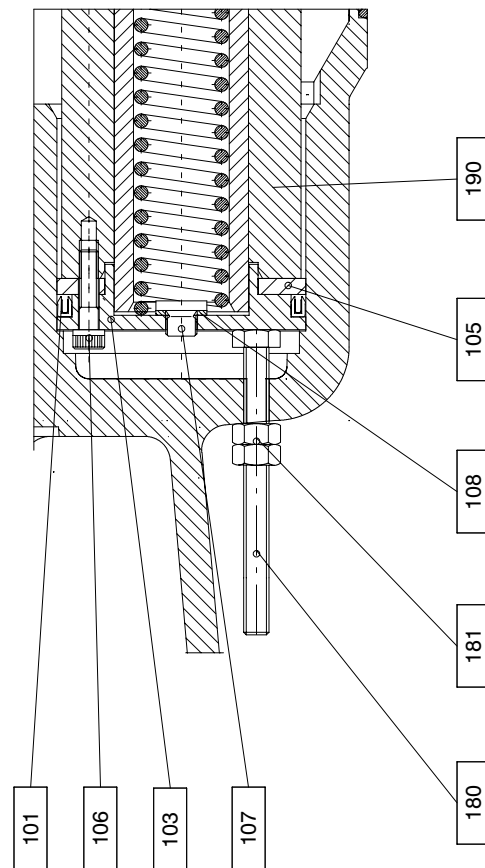
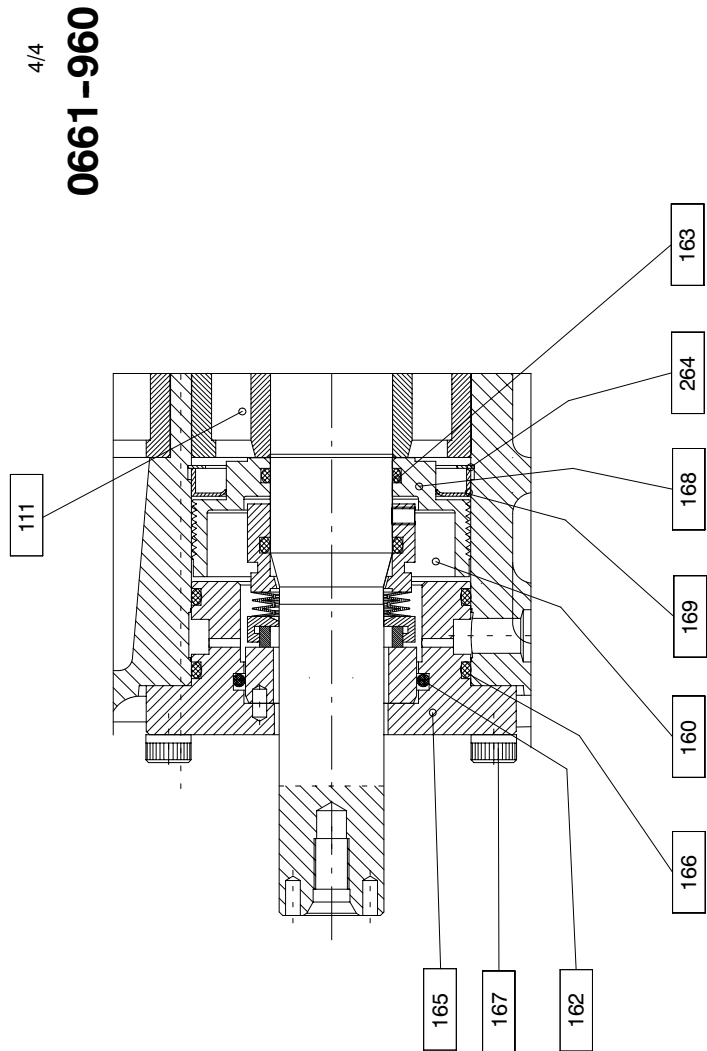


19 spare parts drawings.fm



SAB 110 Mk2
List of parts 0661-961

19. Spare Parts Drawings



SAB 110 MK2

List of parts 0661 -961